



SCHEMATIC DIAGRAMS

MICRO COMPONENT SYSTEM

UX-V50V UX-V50GN

CD-ROM No.SML200102

Supplement

Area Suffix

UB	-----	Hong Kong
US	-----	Singapore
UT	-----	Taiwan
UX	-----	Saudi Arabia
UF	-----	China

1. Since the multiplex reception circuit has been added to the UX-V50V/V50GN in progress of the production of this series, the new block diagram and circuit diagram of the video control circuit are delivered to the parties concerned through this supplement. At the same time, the serial numbers of the improved products are notified in this supplement.
2. New circuit diagrams of the power circuit, video servo circuit and VIDEO board are inserted in this supplement, because there are some mistakes in those circuit diagrams appearing in the original service manual (No. 20874). On servicing these models, refer to the new circuit diagrams, please.

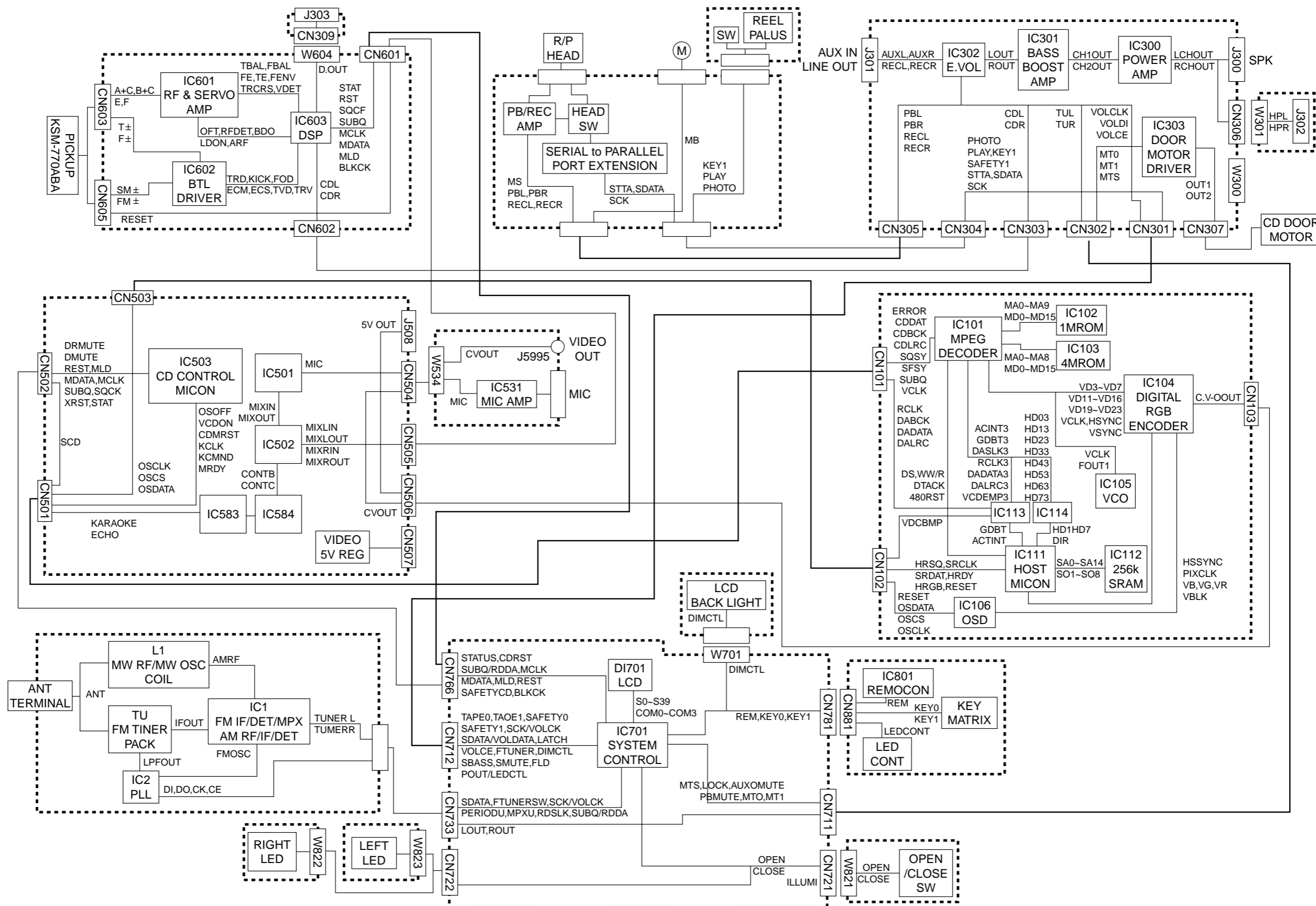
UX-V50V/UX-V50GN CHANGE SERIAL OF THE MPX FUNCTION ADDITION

	TEMPORARY COUNTERMEASURE	LASTING COUNTERMEASURE
UB	#145C0701,#165C0700	No schedul
UF		No schedul
UN	#165C0001~#165C0200	No schedul
US	#145C2201~#165C7000	#165C7001~
UT		No schedul
UX		No schedul
GNUB	#145C0201~#165C4400	No schedul
GNUF		No schedul
GNUN	#155C1501~#165C0900	#165C4401~
GNUS	#145C3201~#165C2900	#165C2901~
GNUT		No schedul
GNUX	#145C1201~#165C1400	No schedul
GNUV		#1~

Contents

Block diagram	2-1	Printed circuit boards	2-4
Standard schematic diagrams	2-2		

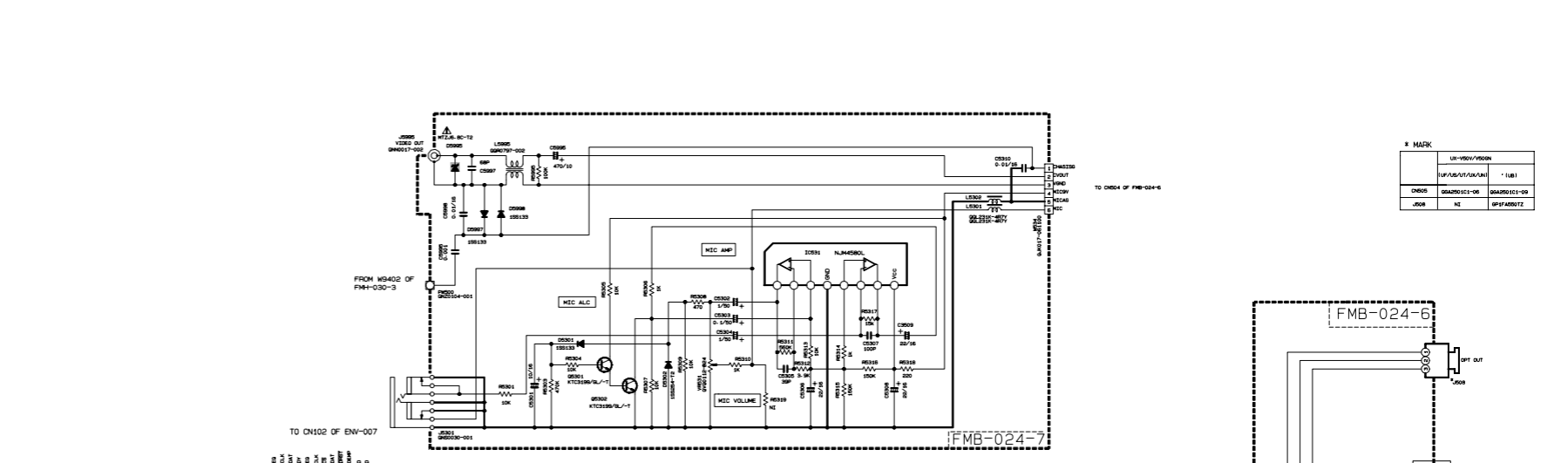
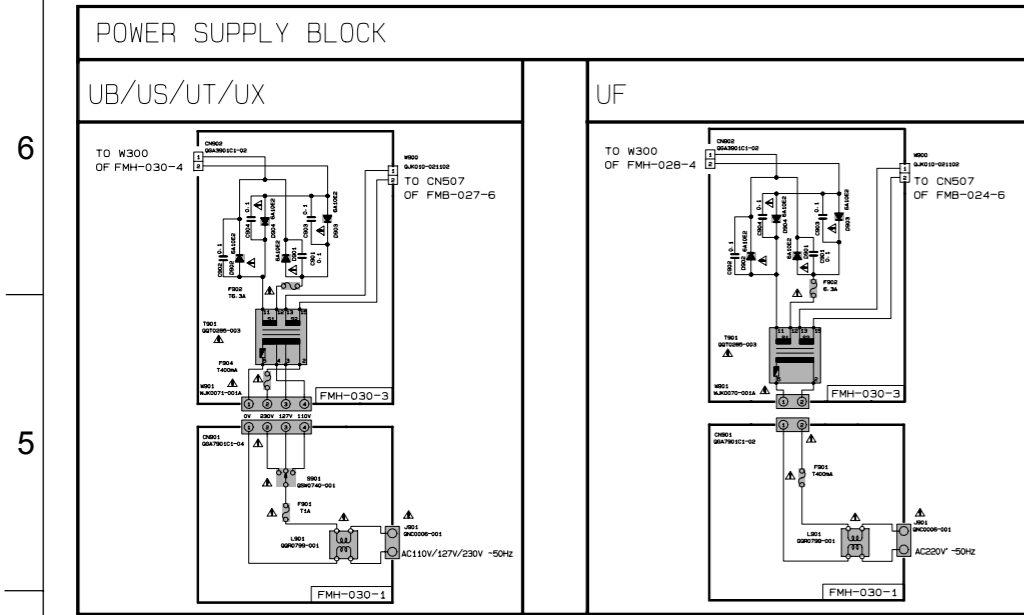
Block diagram



Standard schematic diagrams

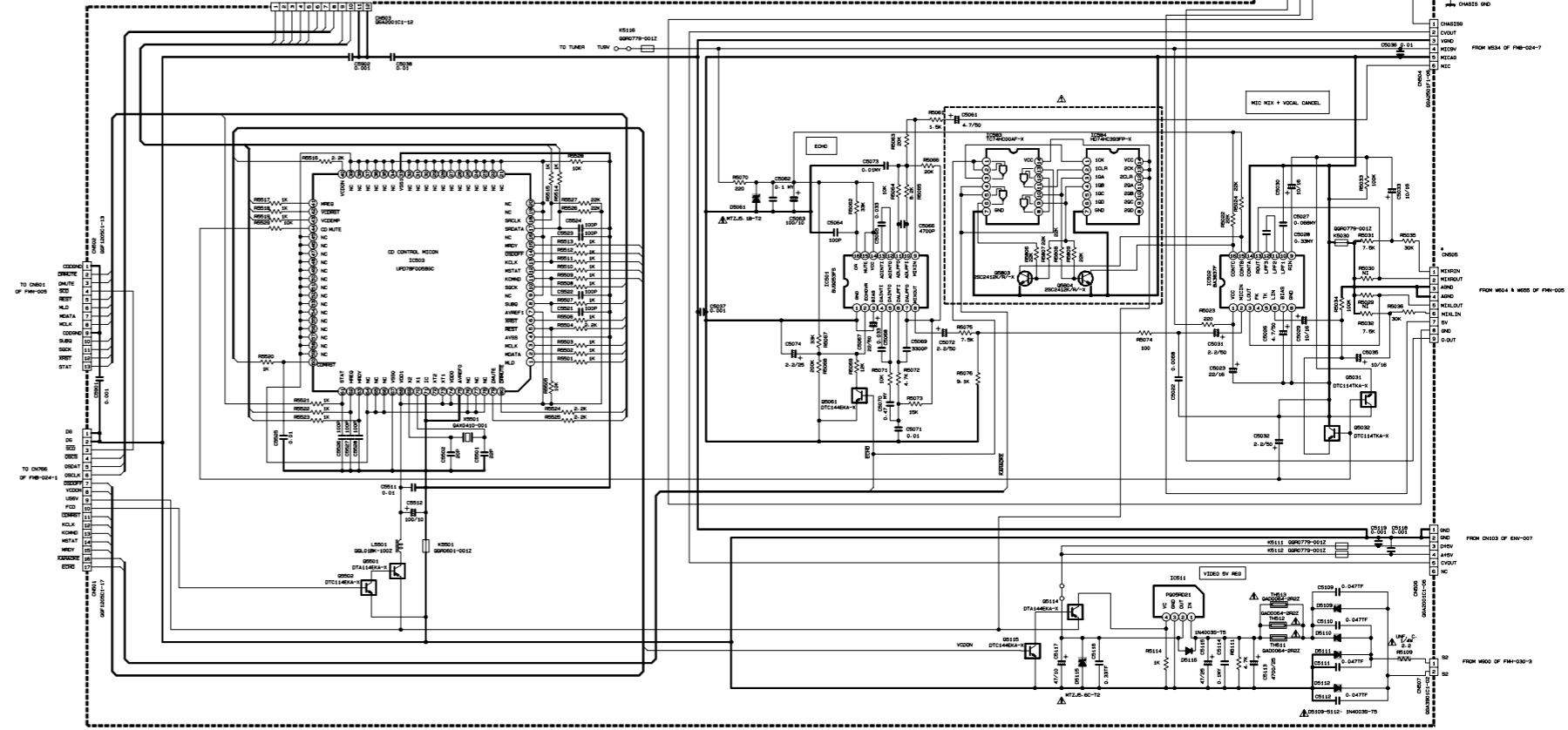
Power supply circuit

Video control circuit (Lasting counter mesure)



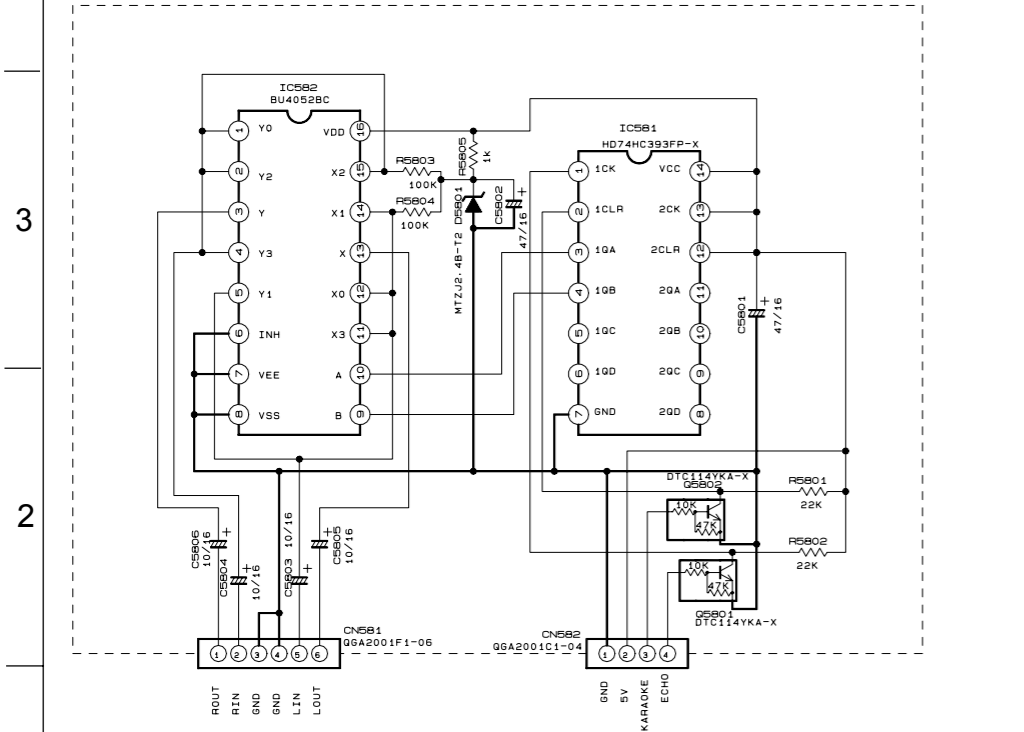
VERSION CODES
UT TAIWAN
US SINGAPORE AND UNIVERSAL EXCEPT ALL OF ABOVE

Parts are safety assurance parts. When replacing those parts make sure to use the specified one.



Parts are safety assurance parts. When replacing those parts make sure to use the specified one.

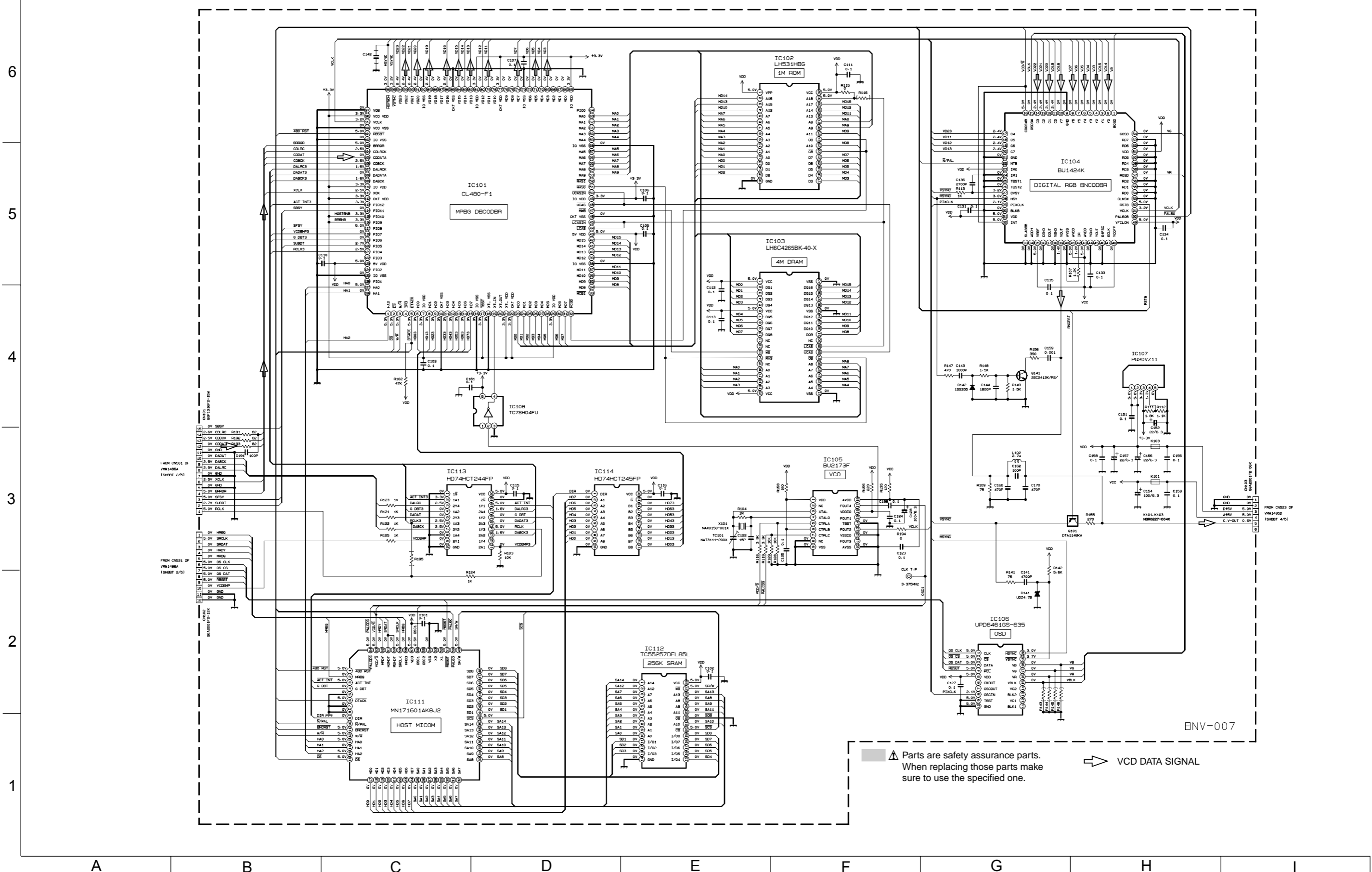
MPX circuit (Temporary counter mesure)



NOTES

- VOLTAGES ARE DC-MEASURED WITH A DIGITAL VOLT METER OR OSCILLOSCOPE WITHOUT INPUT SIGNAL. CONDITION — CD STOP MODE
- UNLESS OTHERWISE SPECIFIED
RESISTORS ARE 1/8W ±5% CARBON RESISTOR.
ALL RESISTANCE VALUES ARE IN OHM (Ω).
ALL CAPACITORS ARE CERAMIC CAPACITOR OR MYLAR CAPACITOR.
ALL CAPACITANCE VALUES ARE IN pF (pF).
ALL INDUCTANCE VALUES ARE IN mH (mH).
ALL E-CAPACITORS ARE SHOWN IN THE FORM OF CAPACITANCE (μF)/RATED VOLTAGE (V).

Video CD servo circuit



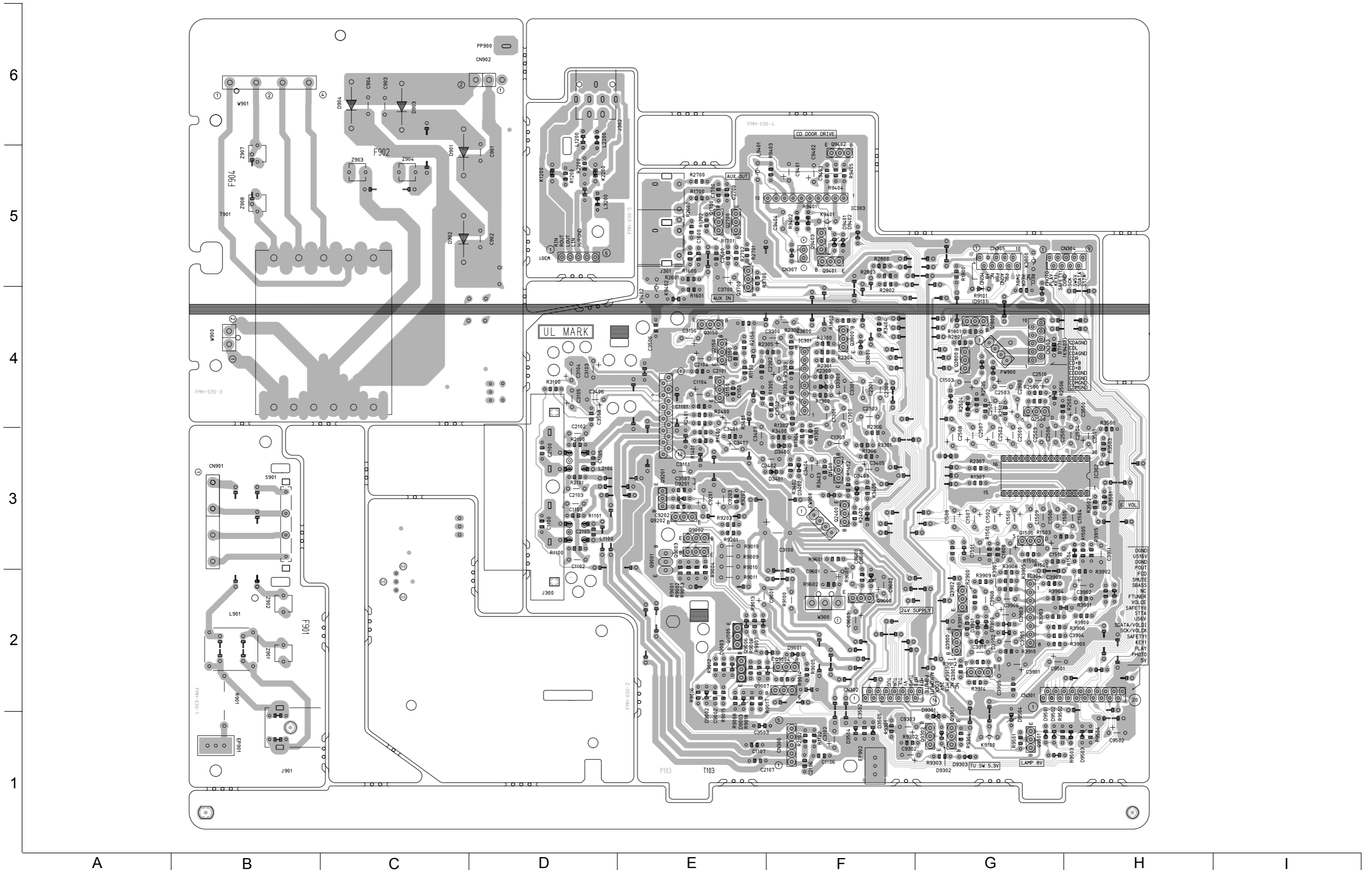
▲ Parts are safety assurance parts. When replacing those parts make sure to use the specified one.

⇒ VCD DATA SIGNAL

BNV-007

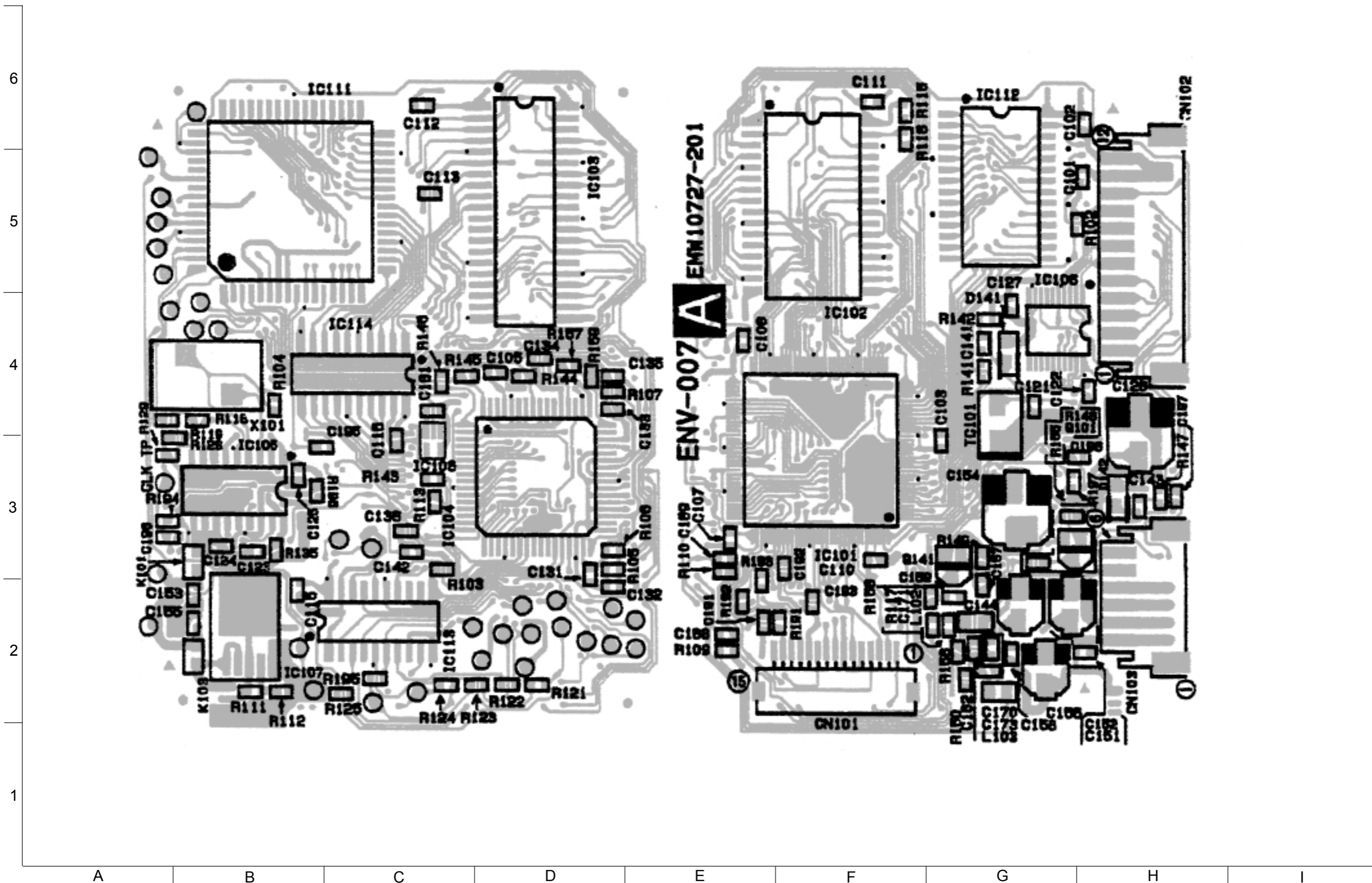
Printed circuit boards

■ Main board



■ VCD board (reverse side)

■ VCD board (forward side)



UX-V50V
UX-V50GN

UX-V50V
UX-V50GN

<<MEMO>>

UX-V50V
UX-V50GN

JVC

VICTOR COMPANY OF JAPAN, LIMITED

AUDIO & COMMUNICATION BUSINESS DIVISION

PERSONAL & MOBILE NETWORK BUSINESS UNIT. 10-1,1Chome,Ohwatari-machi,maebashi-city,371-8543,Japan